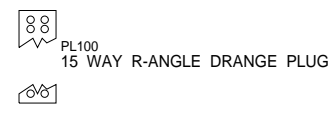
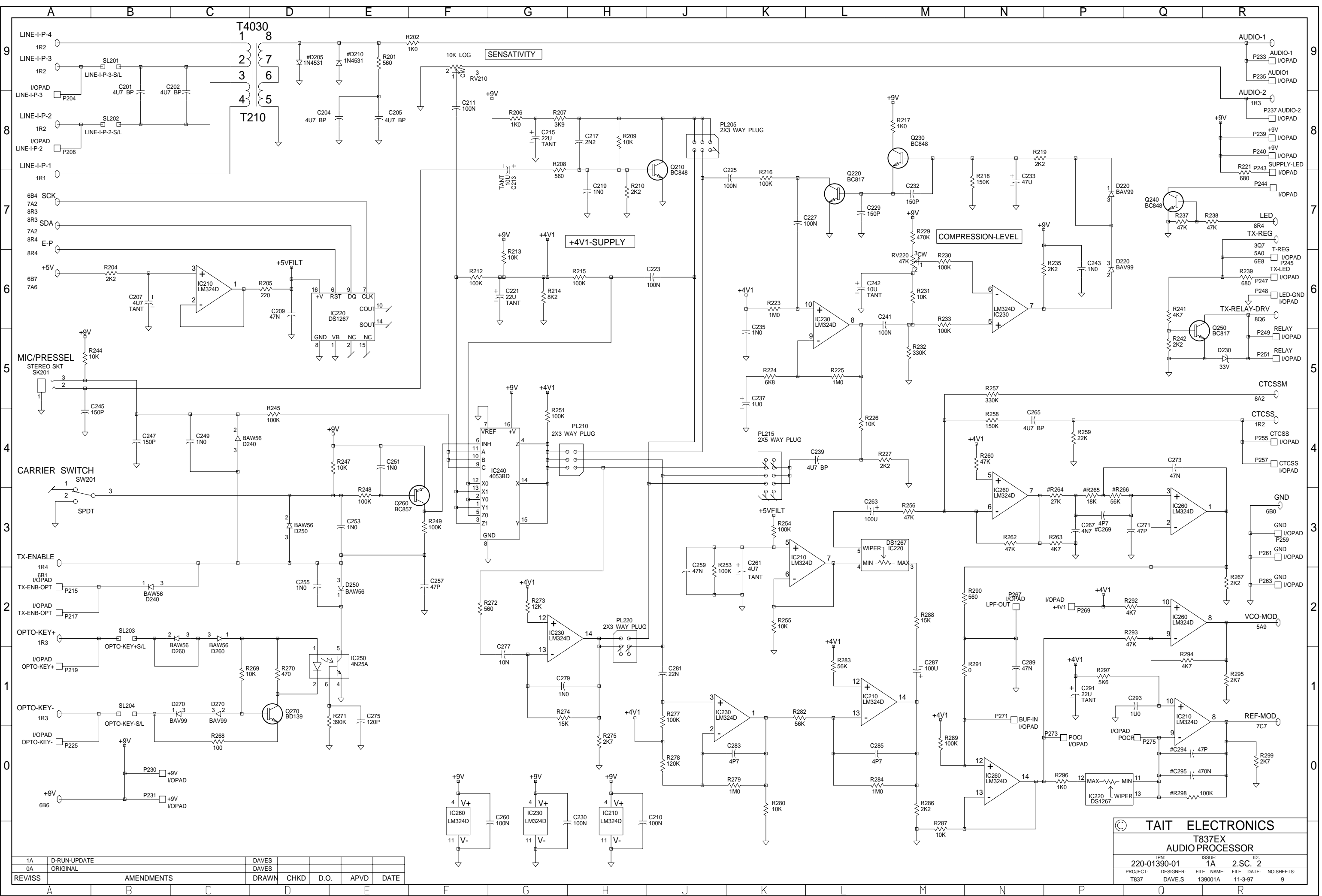


SMD LOCATION HOLES			
TOP SIDE		BOT SIDE	
HOLE TOPHOLE	SLOT TOPSLOT	HOLE BOTHOLE	SLOT BOTSLLOT



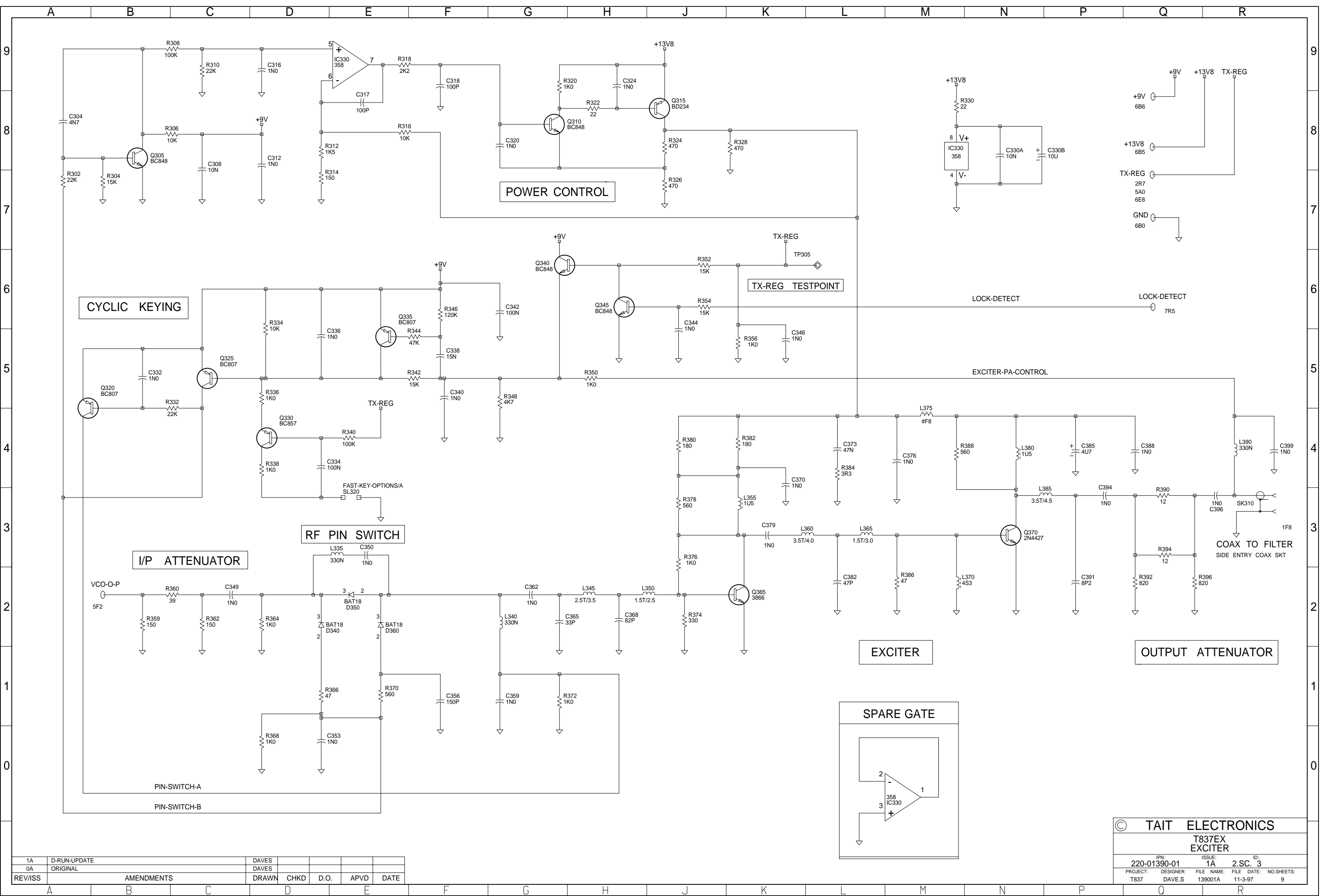
1A	D-RUN-UPDATE	DAVES				
0A	ORIGINAL	DAVES				
REV/ISS	AMENDMENTS	DRAWN	CHKD	D.O.	APVD	DATE

© TAIT ELECTRONICS			
T837EX			
IPN: 220-01390-01	ISSUE: 1A	ID: 2.S.C. 1	
PROJECT: T837	DESIGNER: DAVE.S	FILE NAME: 139001A	FILE DATE: 11-3-97
			NO.SHEETS: 9



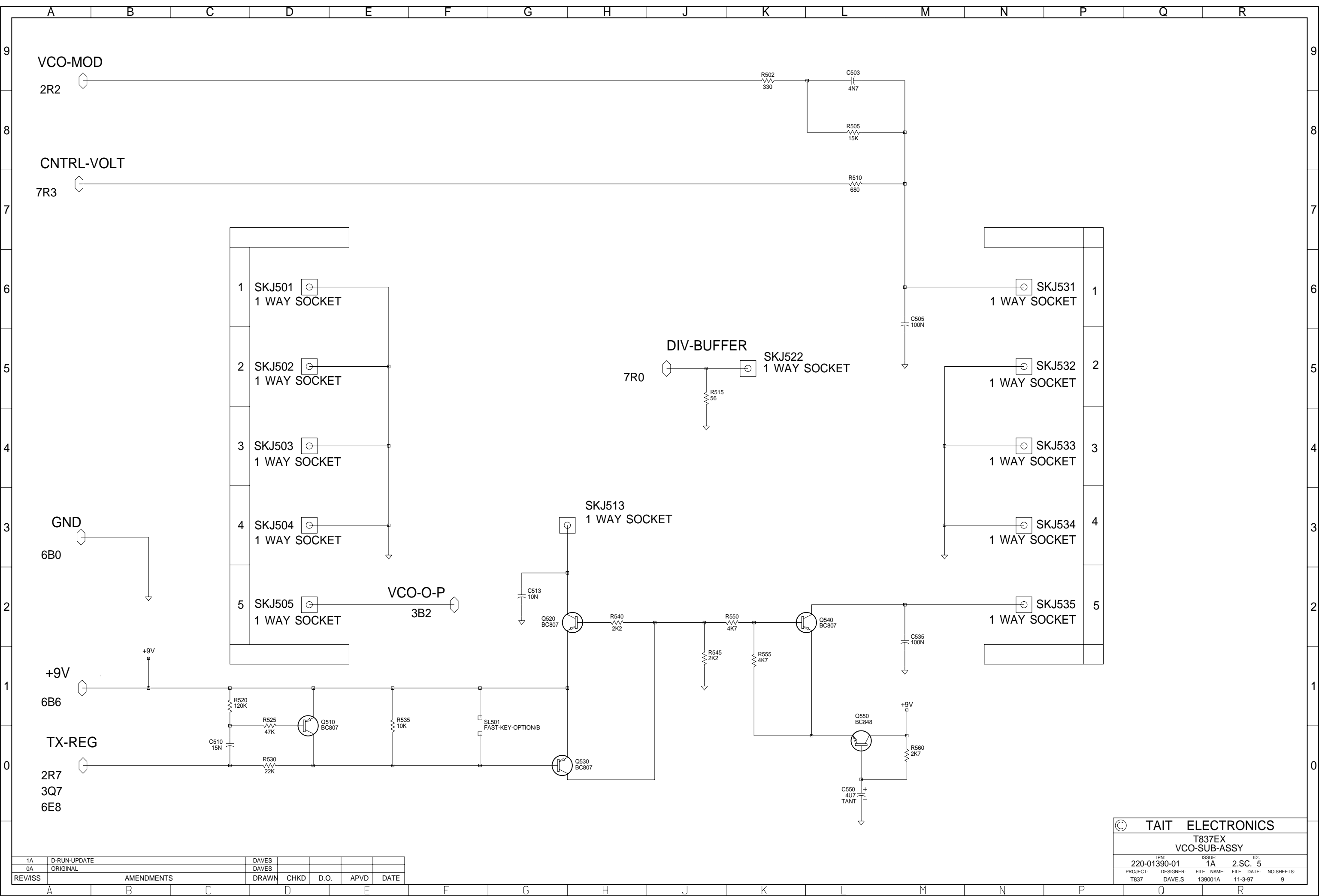
© TAIT ELECTRONICS
 T837EX
 AUDIO PROCESSOR
 IPN: 220-01390-01 ISSUE: 1A ID: 2.S.C. 2
 PROJECT: T837 DESIGNER: DAVE.S FILE NAME: 139001A FILE DATE: 11-3-97 NO.SHEETS: 9

1A	D-RUN-UPDATE	DAVES				
0A	ORIGINAL	DAVES				
REV/ISS	AMENDMENTS	DRAWN	CHKD	D.O.	APVD	DATE



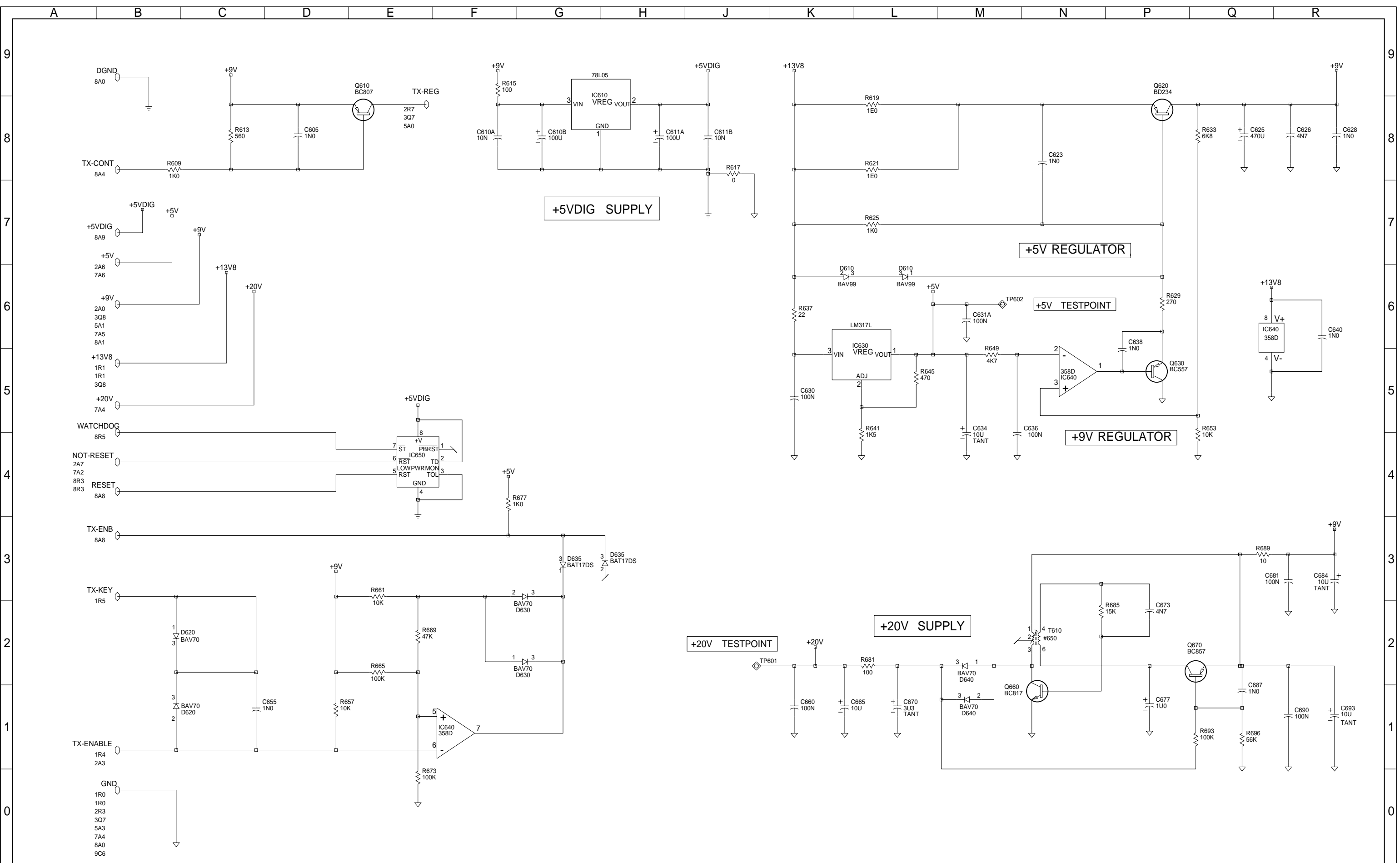
1A	D-RUN-UPDATE	DAVES					
0A	ORIGINAL	DAVES					
REV/ISS	AMENDMENTS	DRAWN	CHKD	D.O.	APVD	DATE	

© TAIT ELECTRONICS
T837EX EXCITER
 IPN: 220-01390-01 ISSUE: 1A ID: 2.S.C. 3
 PROJECT: T837 DESIGNER: DAVE.S FILE NAME: 139001A FILE DATE: 11-3-97 NO.SHEETS: 9



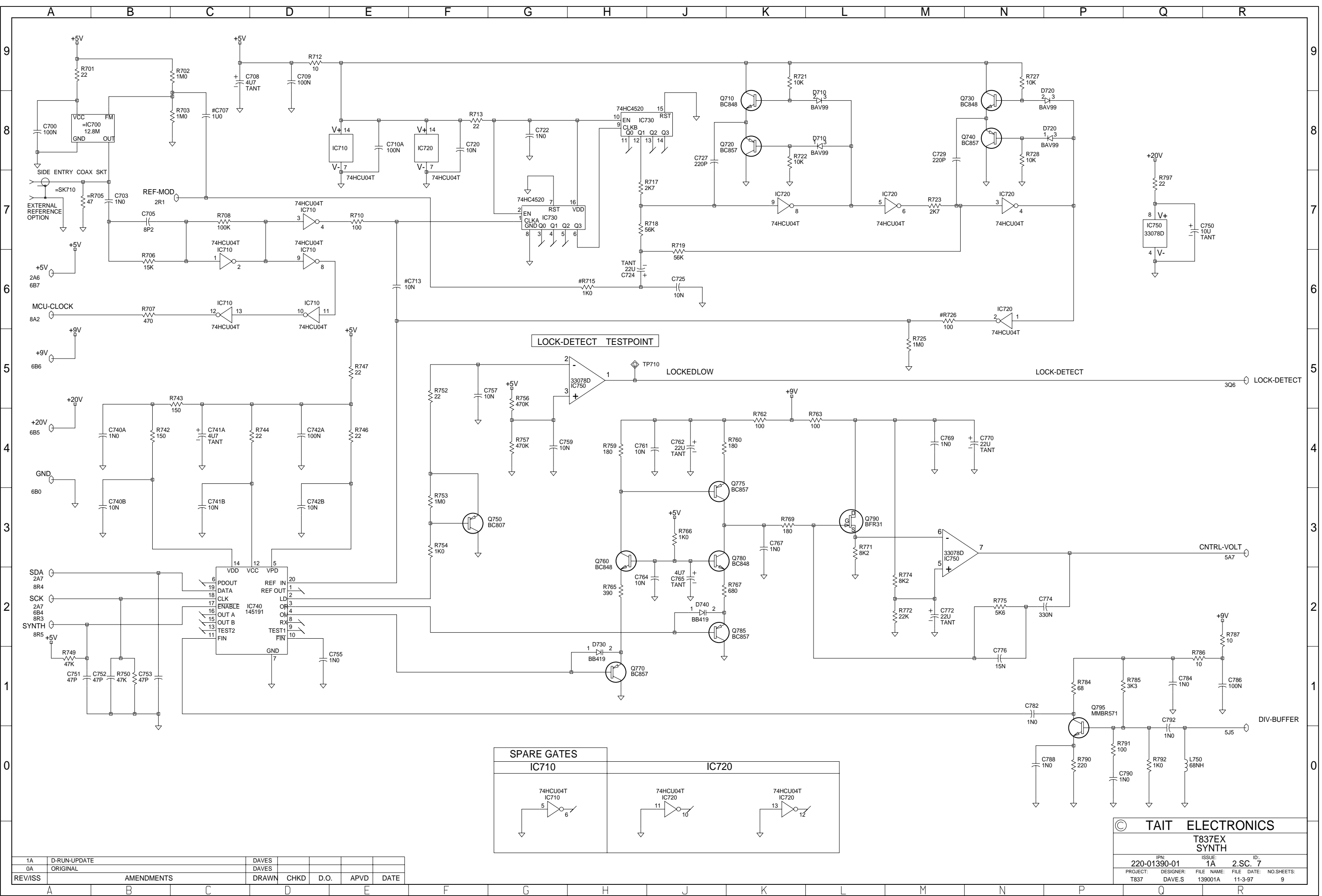
1A	D-RUN-UPDATE	DAVES				
0A	ORIGINAL	DAVES				
REV/ISS	AMENDMENTS	DRAWN	CHKD	D.O.	APVD	DATE

© TAIT ELECTRONICS
 T837EX
 VCO-SUB-ASSY
 IPN: 220-01390-01 ISSUE: 1A ID: 2.SC. 5
 PROJECT: T837 DESIGNER: DAVE.S FILE NAME: 139001A FILE DATE: 11-3-97 NO.SHEETS: 9

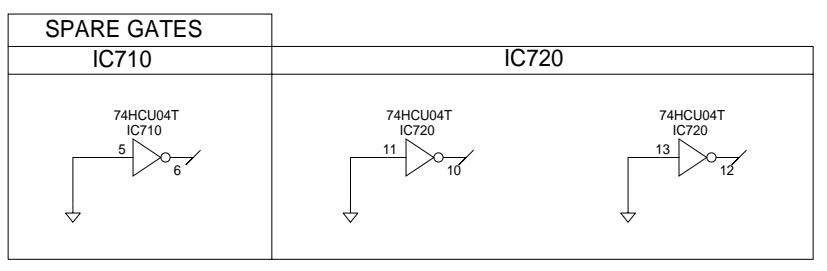


1A	D-RUN-UPDATE	DAVES				
0A	ORIGINAL	DAVES				
REV/ISS	AMENDMENTS	DRAWN	CHKD	D.O.	APVD	DATE

© TAIT ELECTRONICS
T837EX REGULATOR
 IPN: 220-01390-01 ISSUE: 1A ID: 2.S.C. 6
 PROJECT: T837 DESIGNER: DAVE.S FILE NAME: 139001A FILE DATE: 11-3-97 NO.SHEETS: 9

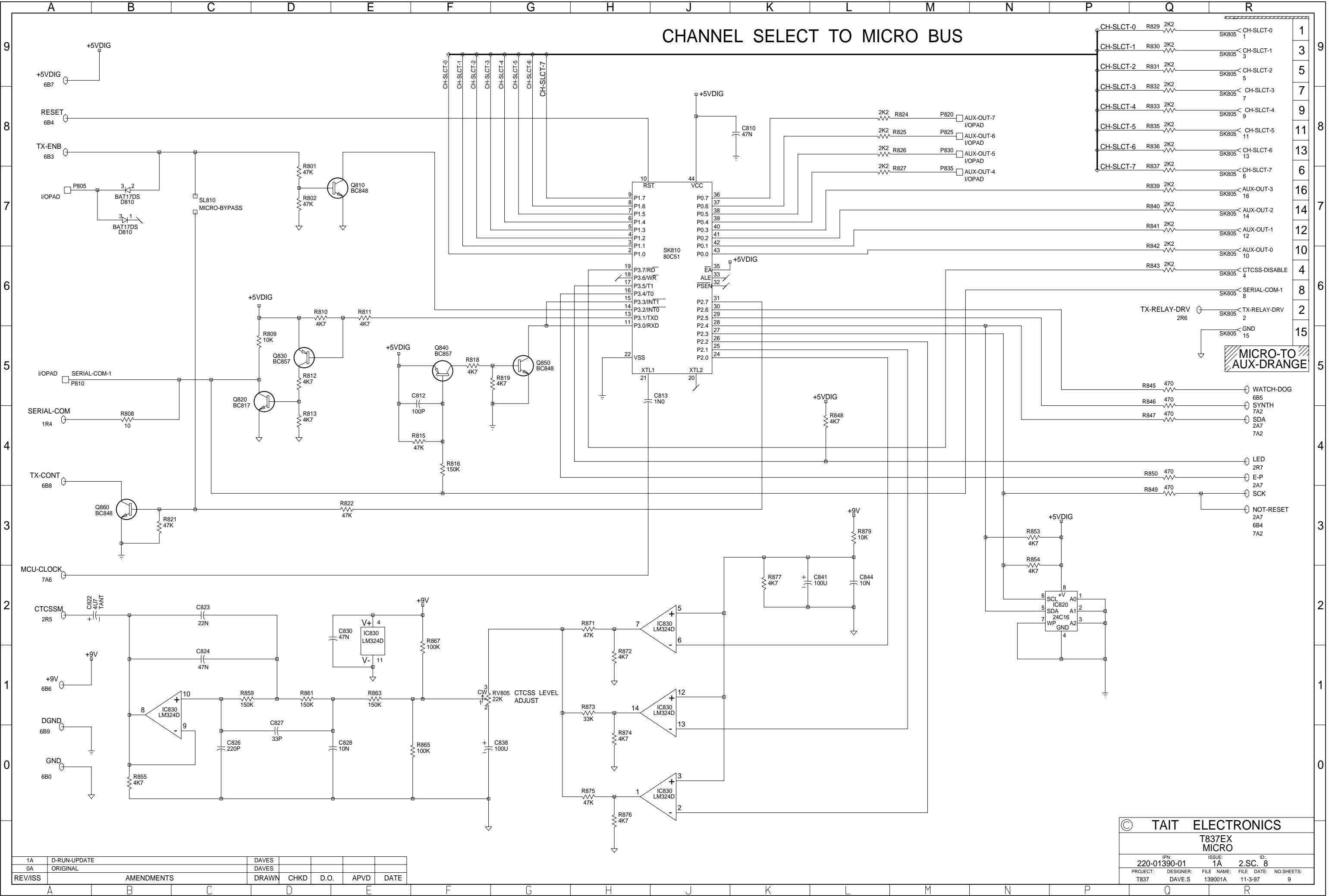


1A	D-RUN-UPDATE	DAVES				
0A	ORIGINAL	DAVES				
REV/ISS	AMENDMENTS	DRAWN	CHKD	D.O.	APVD	DATE



© **TAIT ELECTRONICS**
T837EX SYNTH
 IPN: 220-01390-01 ISSUE: 1A ID: 2.S.C. 7
 PROJECT: T837 DESIGNER: DAVE.S FILE NAME: 139001A FILE DATE: 11-3-97 NO.SHEETS: 9

CHANNEL SELECT TO MICRO BUS



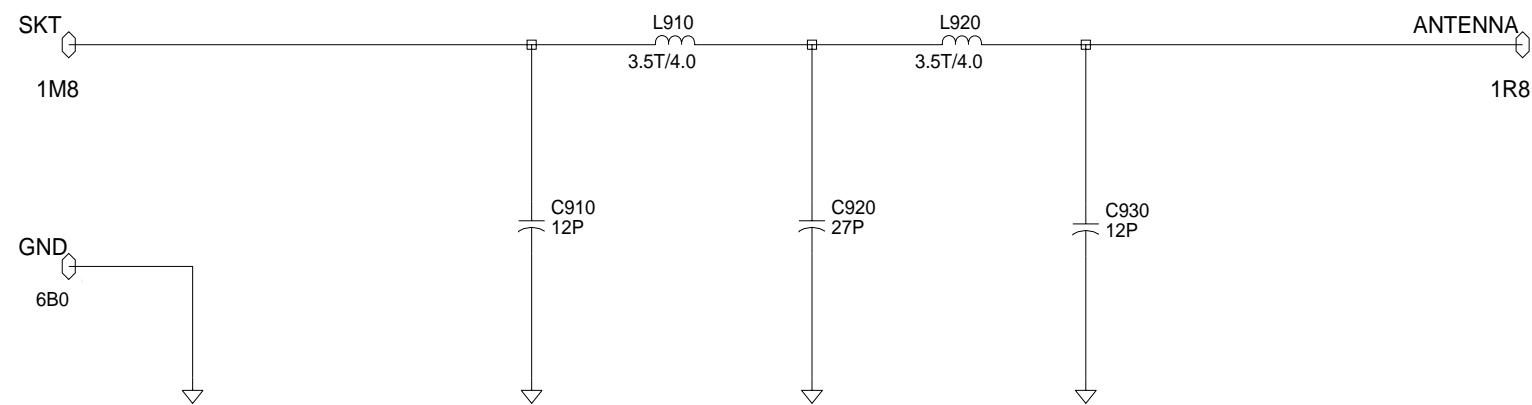
1A	D-RUN-UPDATE	DAVES				
0A	ORIGINAL	DAVES				
REV/ISS	AMENDMENTS	DRAWN	CHKD	D.O.	APVD	DATE

© TAIT ELECTRONICS

T837EX MICRO

IPN: 220-01390-01 ISSUE: 1A ID: 2.S.C. 8

PROJECT: T837 DESIGNER: DAVE.S FILE NAME: 139001A FILE DATE: 11-3-97 NO.SHEETS: 9



HARMONIC-FILTER

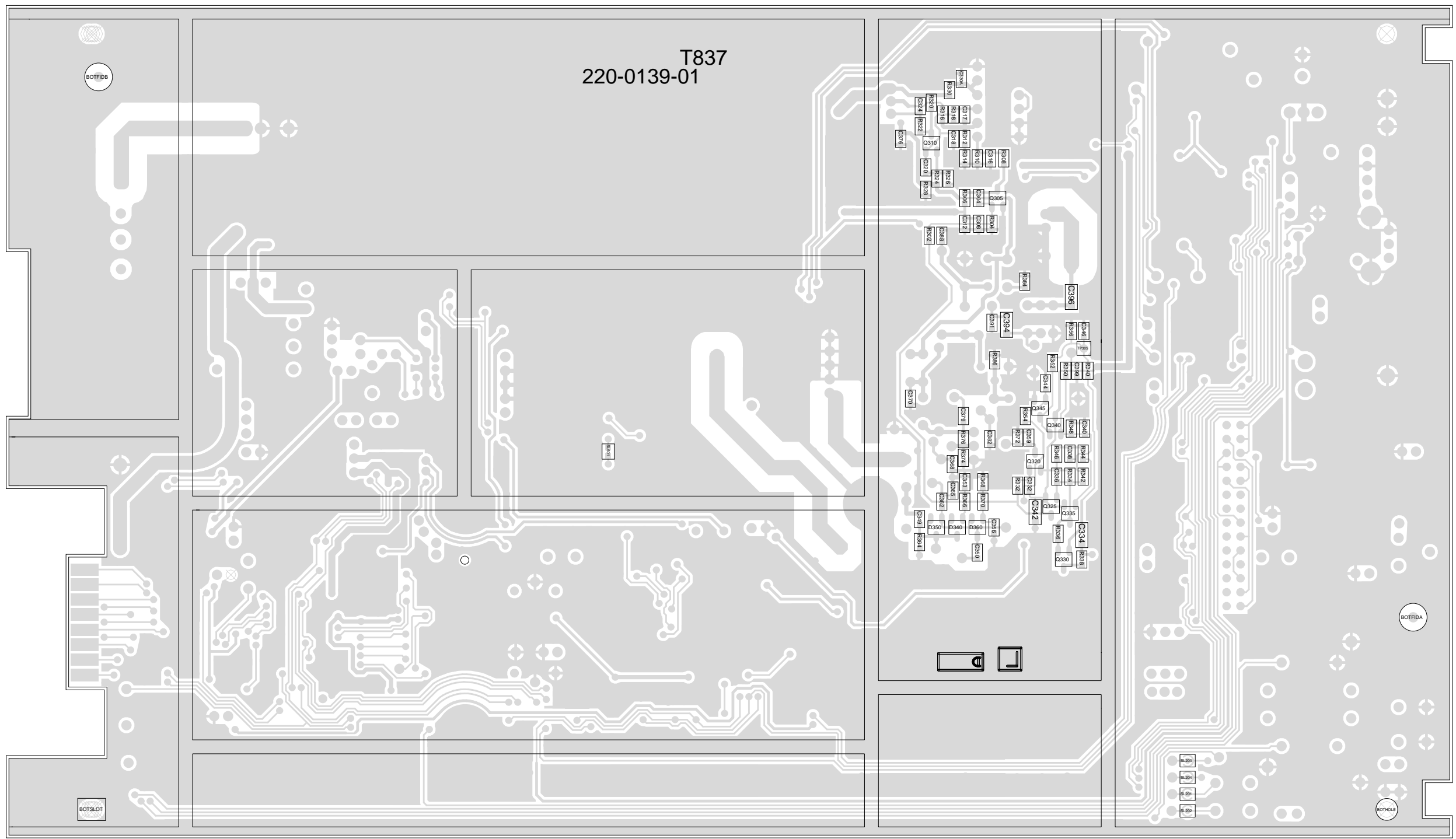
DIODE PHYSICAL PIN OUTS		
<p>SOT23 DIODES</p> <p>BAV70</p>	<p>SOT23 DIODES</p> <p>BAV99 BAT17DS</p>	<p>SOT23 DIODES</p> <p>BAW56</p>

TRANSISTOR PHYSICAL PIN OUTS					
<p>SOT23 PNP</p> <p>BC857 BC807</p>	<p>SOT23 FET</p> <p>BFR31</p>	<p>SOT23 NPN</p> <p>BC848 BC817 MMBR571 MMBR951L</p>	<p>TO-92 PNP</p> <p>BC557</p>	<p>TO-92 FET</p> <p>BF247</p>	<p>TO-126 PNP</p> <p>BD234</p>

1A	D-RUN-UPDATE	DAVES				
0A	ORIGINAL	DAVES				
REV/ISS	AMENDMENTS	DRAWN	CHKD	D.O.	APVD	DATE

© TAIT ELECTRONICS					
T837EX HARMONIC-FILTER					
IPN: 220-01390-01		ISSUE: 1A		ID: 2.SC. 9	
PROJECT: T837	DESIGNER: DAVE.S	FILE NAME: 139001A	FILE DATE: 11-3-97	NO.SHEETS: 9	

9
8
7
6
5
4
3
2
1



T837
220-0139-01

BOTFIDR

BOTSLOT

BOTFIDR

BOTHOLE

Q P N M L K J H G F E D C B A